

# ThermoFlexX 48



The ThermoFlexX 48 with its maximum plate size of 900 x 1200 mm (35 x 48") is the perfect fit for the medium web segment. It's an excellent choice for ambitious label & flexible packaging printers who want their own productive imager and to remain independent whilst making plates in the shortest possible time. ThermoFlexX 48 is an ideal size to fit easily into available space with realistic costs for plate processing equipment and digital workflow. ThermoFlexX 48 is the ultimate flexo plate imager combining superior quality, handling and productivity.

## High quality imaging

- + The new generation optical system offers superior quality thanks to a unique design using leading edge technology. The fiber laser represents today's best technology for digital imaging, offering superior quality. The robustly designed ThermoFlexX is made using heavy duty industrial components, making high speeds possible without fluctuation and vibrations. This provides the most accurate and consistent imaging quality available today.

## Ease of Use

- + The ThermoFlexX 48 can automatically load and unload plates with one touch of a button.

## Low Plate Waste

- + Clever technical innovation, such as the unique vacuum slider, demonstrate our understanding that users need to save cost and time. No more taping partial plates!

## Open

- + ThermoFlexX imagers excel in their choice of resolution. Any of the industry standards can be used. ThermoFlexX imagers can be integrated with any workflow or RIP that can produce 1-bit TIFF file format. Closed file formats such as LEN-files can be seamlessly converted to 1-bit TIFF. ThermoFlexX can image all digital plates, any brand, solvent, water washable or thermal processing, and is compatible with all plate making equipment.

## Productivity

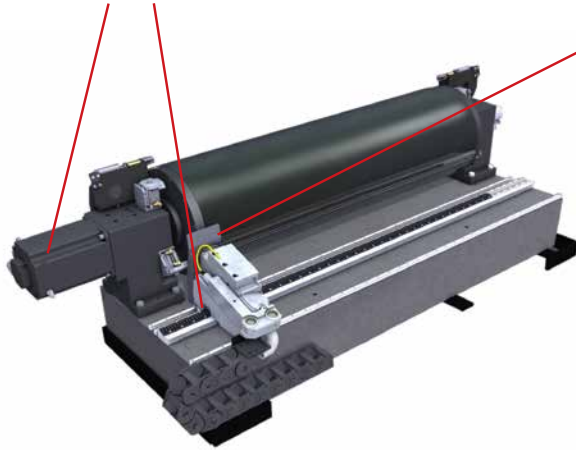
- + The new imaging system is not only built for optimum quality, but also to combine this quality with superior speeds. Productivity up to 6m<sup>2</sup>/h can be achieved at the standard quality of 2540dpi.



# ThermoFlexX 48

## Motion Accuracy

- + The robust design is based on a modular platform with a small footprint. The imaging system is driven by linear motors with ultimate accuracy. The direct drum drive guarantees a continuous speed without fluctuations.



## Laser Protection Plate

- + A plate flying off because of loading errors can happen on any CTP. These accidents can seriously damage the imaging unit leaving it out of operation for days as a consequence. A protection plate, installed on a separate rail system intercepts impact from a plate at any time.

## Imaging Software

- + The ThermoFlexX imager is controlled by a 360° rotating display. This makes the machine accessible from any side. The intuitive interface shows the job list with all parameters and a preview of the currently imaging plate. The imaging progress on the plate preview screen is clearly visible all around the plate room.



## Auto Loading

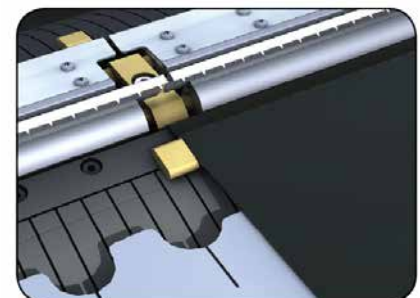
- + The ThermoFlexX 48 can automatically load and unload plates with one touch of a button. An innovative guidance system makes sure that even thick plates, up to 6,35 mm (0.25"), can be seamlessly mounted on the drum, all automatically.

## Automatic Calibration

- + The new generation optical system offers superior quality thanks to a unique design using leading edge technology. Our standard autocalibration system guarantees consistency and high quality imaging.

## Automatic Vacuum Slider

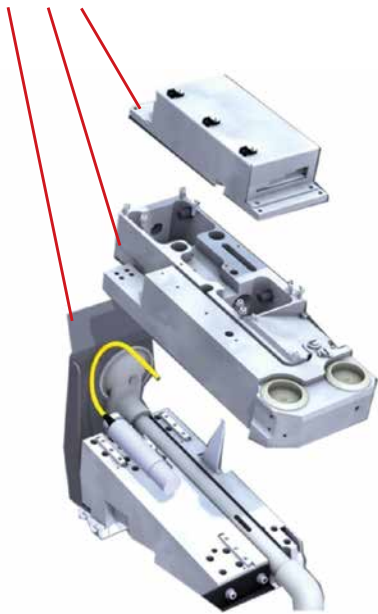
- + Optimum plate handling and manipulation avoids accidental damage. The vacuum slider, a unique feature of ThermoFlexX imagers, offers efficient operation for partial plates. By moving the slider to the edge of the plate the vacuum is concentrated beneath the plate, which eliminates the need for taping and film covering and still allows full speed imaging.



# ThermoFlexX 48

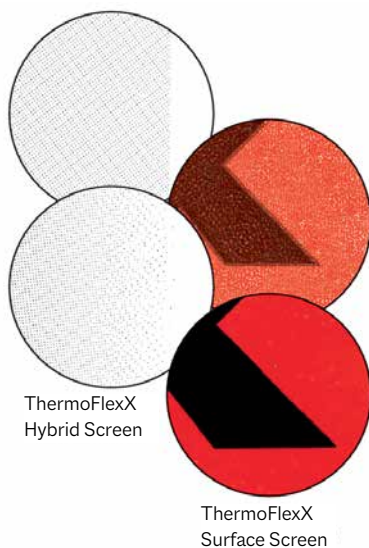
## 3 Component Imaging Head

- + The imaging system consists of 3 independent modules: motor, optics and laser. This flexible design allows straight-forward replacement of any of the modules. It is even possible to perform optical fine tuning remotely. This makes service interventions simple and hardware upgrades effortless and straightforward.



## Innovative Screening

- + ThermoFlexX screening technology offers superb highlights with a smooth transition to 0% tint value, while solids and line-work retain excellent detail.



## Multi Resolution

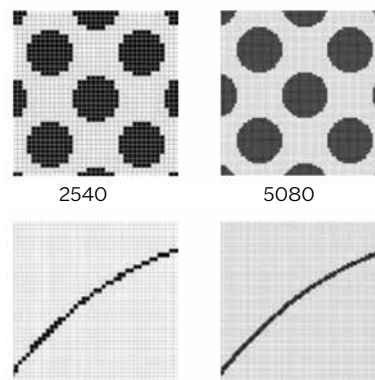
- + ThermoFlexX supports all 1-bit TIFF formats from any RIP at all standard resolutions 2000, 2400, 2540, 4000, 4800, 5080 and 10.160 dpi. Closed file formats such as LEN files can be converted seamlessly to 1-bit TIFF format. In the Multiplate software, TIFF's with different resolution can be combined on one plate.

## MultiPlate Preparation

- + MultiPlate is an intuitive interface providing amazing ease of use. 1-bit TIFF's are arranged automatically or manually and jobs of different resolutions can be combined. The status of different jobs is clearly presented. With the search and filter tool you can easily find files, even if they are stored in an archive.

## High Resolution

- + With 5080 dpi resolution, we push quality standards to a higher level.
  - + smaller screen dots & finer details
  - + sharper text and line-work
  - + full image contrast
  - + greater production stability through platemaking and printing



## Automatic Resolution Switching

- + The optical system is based on multiple lenses. We use the most suitable lens for each resolution without compromise in quality. Changing resolution is performed automatically in the background. The possibility of combining jobs with different resolutions on one plate saves time and avoids imposition mistakes.

# ThermoFlexX 48

Technical characteristics	ThermoFlexX 48 E	ThermoFlexX 48 S
Laser type	Fiber laser 1064nm	
Laser power	50 W	100 W*
Standard resolution <sup>1</sup>	2400 2540	2400 2540
High resolution <sup>1</sup>	4000*	4000*
10.160 dpi for Security printing	4800* 5080*	4800* 5080*
Productivity 2400dpi <sup>2</sup>	3	6*
Productivity 5080dpi <sup>2</sup>	1.5	3*
Image quality	at 2540 dpi: up to 175lpi / at 5080 dpi: up to 250lpi	
Hybrid Drum option	Optional	
Customised register pins	Optional	
Customized magnetic zones	Optional	
Loading table	Top loading table	
Clamping system	Automatic	
Resolution change	Automatic	
Focus setting	Auto focus	
Plate loading	Manual/ Automatic	
Partial Plate handling	Automatic Vacuum Slider	
Maximum Plate sizes (drum dimensions)	900 x 1200mm or 35" x 48" (width: 1200 mm / circumference: 900 mm)	
Plate thickness	0.73 to 6.35 mm 0.029 to 0.25"	
Mountable plate materials	Flexo plates and letterpress plates on polyester base Dry Films 0,2mm Digital Screens Gallus Screeny  Steel backed plates require hybrid drum option	
Applications	Label & Tag Folding Carton Flexible Packaging	
Top & Bottom clamp space	15mm / 0.6"	
Machine dimensions	Width: 2763mm / 108.8" Depth: 1322 / 52" Height: 1200mm / 47.3"	
Required Floor Space	3800 x 3500 mm 150"x 138"	
Weight	2500 kg/ 5512 lb	
Compressed Air	Min. 6 bar- free oil/condensation Compressor not included - 0.5"connection	
Electrical connection	Voltage: 3x400 V (+/-5%) N, PE Frequency: 50 Hz- 60 Hz Fuse: 20A	
Exhaust & Filter system	External exhaust carbon filter system with carbon filter	
Vacuum system	External vacuum system provided	
Operating conditions	Humidity, max 70% Temperature 15-26° / 59-79 F/ (+/-2%)	
Multiplate Software Platform Specification	Windows 10 Professional Server 64 bit 3 Ghz Quad Core (4 cores with Hyperthreading) 32 GB RAM DVD ROM/ Minimum 1 USB port for Dongle Dual 100/1000 Network Interface 1 TB hard disk	

1) By default one resolution (2400 or 2540dpi) comes with the imager. Additional resolutions are optional.

2) Depending on plate type and quality requirements. Thicker plates are imaged 60% of the mentioned productivity.

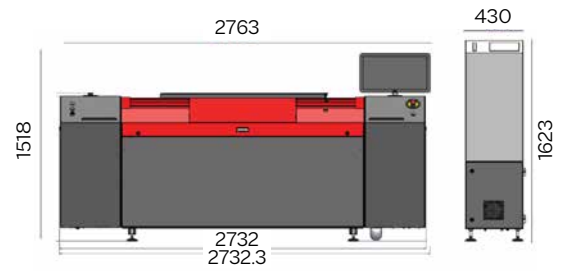
\* Optional

## Please contact us for additional information.

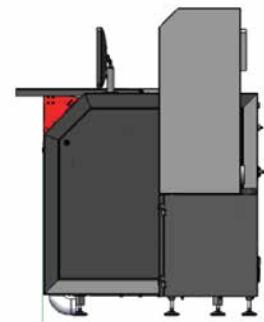
info@xsysglobal.com • www.xsysglobal.com

The aim of our technical documents is to inform and advise our customers. The information provided herein is correct to the best of XSYS's knowledge. No liability for any errors, facts or opinions is accepted. Customers must satisfy themselves as to the suitability of this product for their application. No responsibility for any loss as a result of any person placing reliance on any material contained herein will be accepted. Product names followed by \* are trademarks registered by XSYS Germany GmbH and/or its affiliates.

Front view



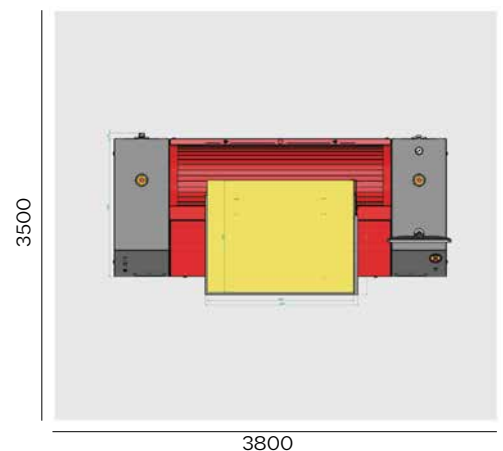
Side view



Plan view



Floor plan



**XSYS**

Print solid. Stay flexible.

02-2021